

Vision

Radar sensor for automatic door

Description

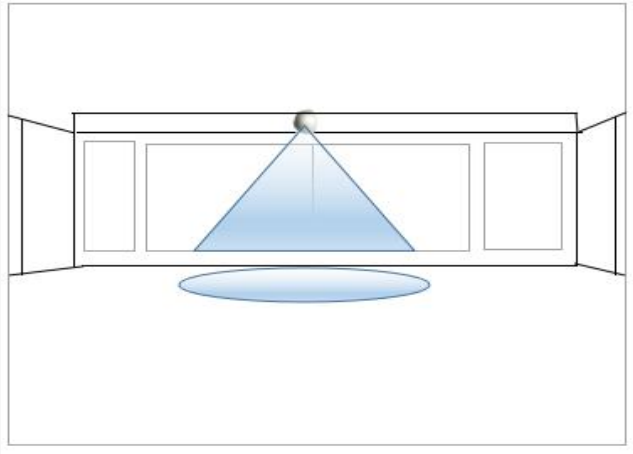


1. Cover
2. Potentiometer
3. LED
4. Radar antenna
5. Main connector

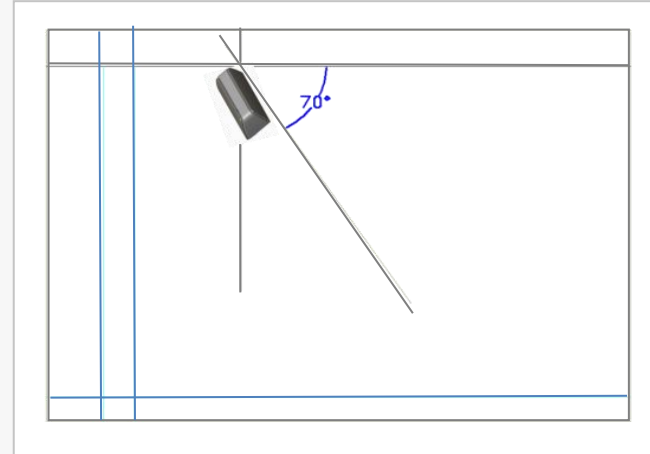
Technical Specifications

Technology:	Microwave doppler radar
Transmitted frequency:	24,150 GHz
Output power:	<20 dBm EIRP
Mounting height:	1.8 m to 3 m
Density of emitted power:	<5 mW / cm ²
Detection mode:	Motion
Min.Detection speed:	5 cm/s
Supply voltage:	12 V to 24 V DC +/- 10%
Power supply frequency:	50 to 60 Hz
Consumption:	< 2 W
Output:	Solid state relay (free of potential change-over contact)
Current max.Output:	1 A (MAX)
Material:	ABS & Polycarbonate
Degree of Protection:	IP53
Temperature range:	-25 °C to + 70 °C
Dimensions:	170 mm (L) x 50 mm (H) x 68 mm (P)
Angle of inclination:	0 ° to 90 ° (vertical direction) ; -30 ° to + 30 ° (lateral direction)
Cable length:	3 m

Application

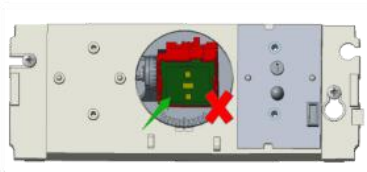


Wall mounting above sliding doors, swing gates and revolving doors



Ceiling mounting in front of sliding doors, swing gates or revolving doors

Tips



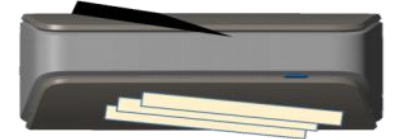
Do not touch electrical parts



Avoid vibrations

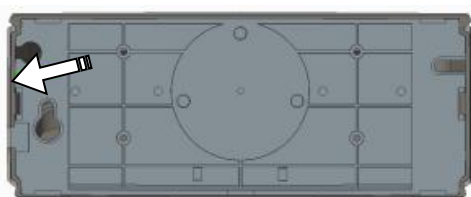


Do not cover the sensor



Avoid proximity to neon Lamps or moving objects

1. OPENING THE SENSOR



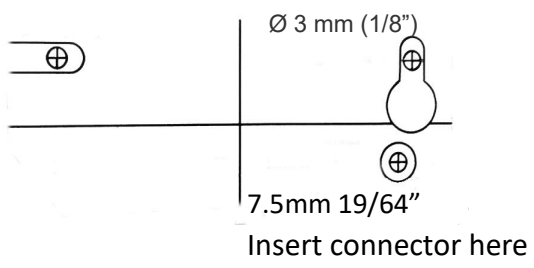
Before fixing



After fixing

2.MOUNTING AND WIRING

①

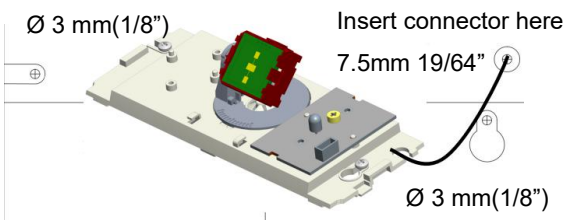


Apply the mounting template

Drill 1 hole for the cable

Drill 2 holes for the screws

②



Connect the cable and insert it through the hole

Connect the wires as follows

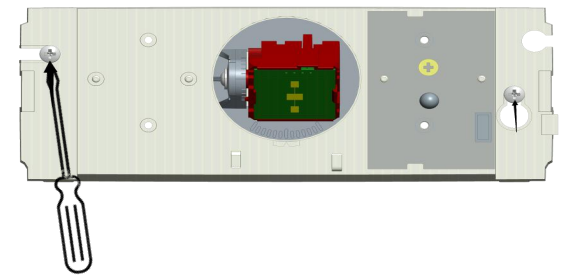
Brown - Power supply -

Green - Power supply +

White - No

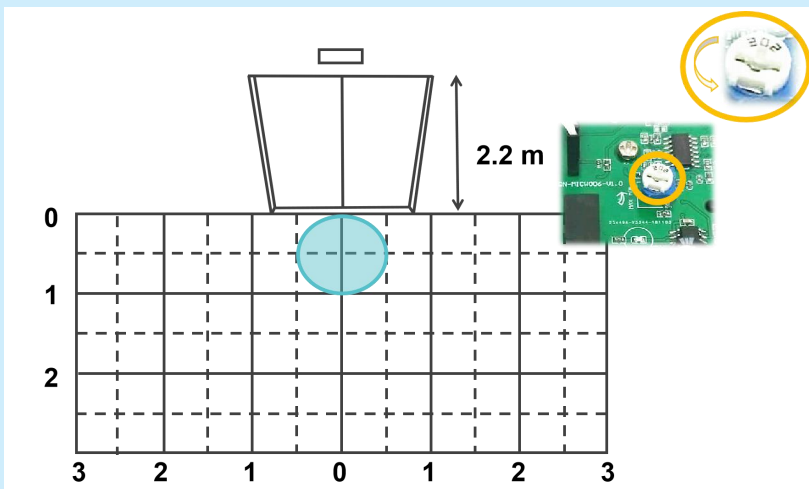
Yellow -COM

③

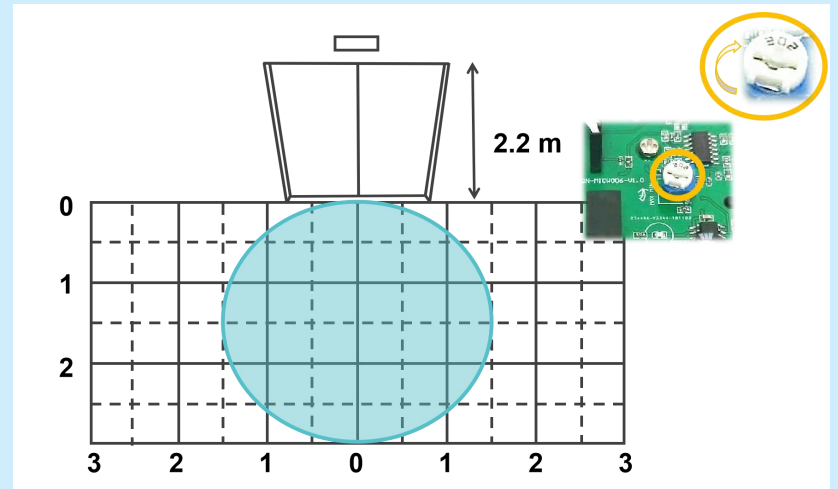


Fix the sensor firmly

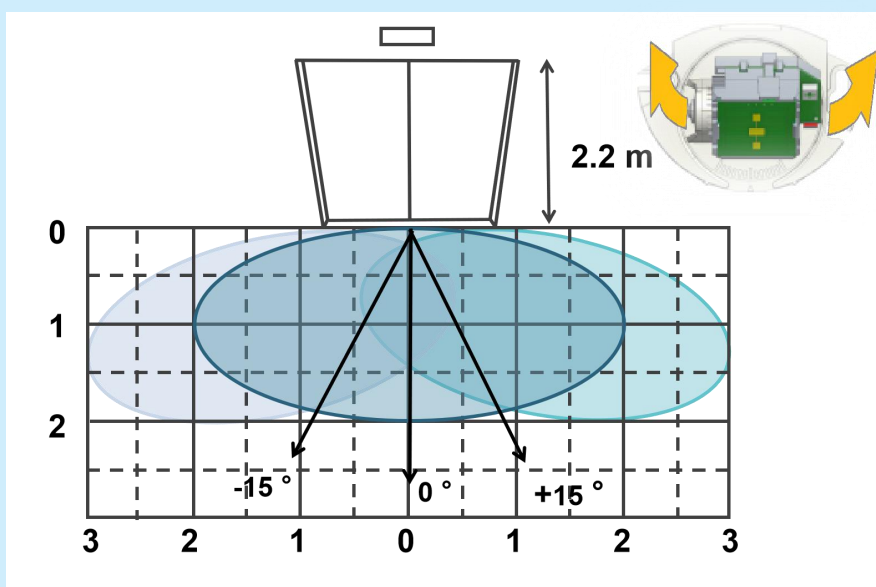
3.FIELD ADJUSTMENT



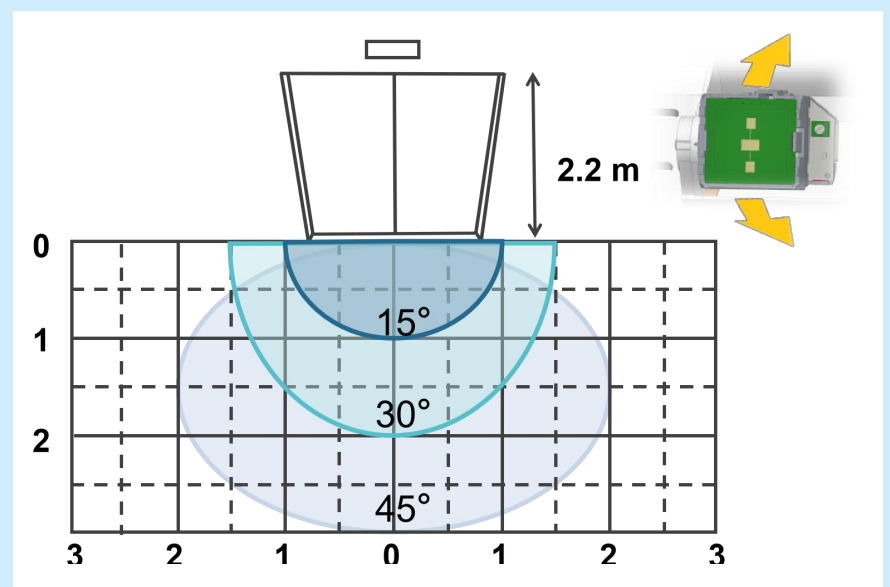
Field size: Minimum



Field size: Maximum



Lateral direction



Vertical direction

Troubleshooting

Fault	Possible cause	Solution
The door remains closed The LED is off	The sensor power is off	Check the wiring and the power supply
The door closes and opens constantly	The sensor is disturbed by the closing of the door or vibrations caused by the door motion	<ol style="list-style-type: none">1) Make sure the sensor is fixed firmly2) Adjust the antenna angle3) Decrease the field size
The door opens for no apparent reason	In highly reflective environments, the sensor detects objects outside of detection field.	<ol style="list-style-type: none">1) Adjust the antenna angle2) Decrease the field size

